

X-Series: X21-470-COM SunPower® DC SDQHOSURNRPHUPLQWVDFH

Q.FSFLILF			
		SPR-X21-470-COM	SPR-X21-460-COM
1RPORRP	7	470 W	460 W
7ROHUDQFHNRQX		+5/0%	+5/0%
LQQRVWSDQHGX		21.7%	21.3%
-PHQRLWQDSW8PSS		77.6 V	77.3 V
-PHQRLWQDSW8PSS		6.06 A	5.95 A
1DSWQDSUGQR8RF		91.5 V	90.5 V
3URXGQDNUNR'VF		6.45 A	6.39 A
0DQDSWVWPX		1000 V UL & 1000 V IEC	
0DL POQML#WQVULH		15 A	
7HS@W@IRHINRQX		-0.29% / °C	
7HSORWQNRHIQDSW		-223.2 mV / °C	
7HS@W@IRHISURXGX		2.9 mA / °C	

7HVWDFHUWLILNW	
6WDQGDUGQW#VW	UL1703 (3RUQRGRFHQType 2), IEC 61215, IEC 61730
&HUWLILNWN'DOL	ISO 9001:2015, ISO 14001:2015
6RGD(+6	RoHS, OHSAS 18001:2007, EHRORD, UHFNODQVFPD, REACH SVHC-163
LRWQSURVWHG	8HGHQVHQDPX Cradle to Cradle Certified™ Silver. "Declare."
7HVWQDSDHN	IEC 62716
7HVWQDSRX#WQSURVWHG	10.1109/PVSC.2013.6744437
7HVWQDSRVWNQVODQRXRGRXEC	61701 (maximOQQR QRVW)
7HVW3"	1000 V: IEC 62804, PVEL 600 hRGWUQ
8HGHQRQDVHQDPX	UL, TUV, MCS, FSEC, CEC

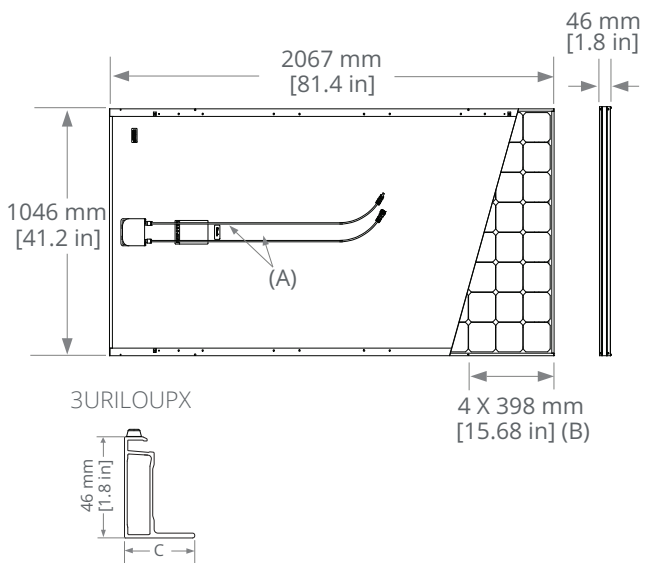
1 SunPower 360 W HVURQVEQLSDQHOVHVMQRXHOLNRVWDURORHQ (260 W, 16% eLQQRVW, FFD 1.6 m²), 4% FHHQHJLHQD:DWQDNODGVRXERU1 PVSystem pan), 0.75%/URNRPDOHM#GHJUDGDFH (Campeau, ZaletSunPower Module Degradation Rate," SunPower white paper, 2013).
 2 1DNODGSUROHGQRGRWGDWDVHWH1QDZHERFVWUQNF 10 QHMOHS#F UREF1QD IHS, OHGHQ2017.
 3 SUQPVWRSXEOLNDFL "Fraunhofer PV Durability Initiative for Solar Modules: Part 3". PVTech Power Magazine, 2015. Campeau, Z. et al. "SunPower Module Degradation Rate," SunPower white paper, 2013.
 4 SunPower MHRGQRFHQMDNRVORQD Silicon Valley Toxics Coalition's Solar Scorecard.
 5 Cradle to Cradle Certified MHNRPDOHM#GHJUDGDFH (Campeau, Z. et al. "SunPower Module Degradation Rate," SunPower white paper, 2013).
 6 3DQHGX-Series and E-Series QDFVSDGDMGR LEED Materials and Resources credit categories.
 7 StandDUGQWHWRDFSRGPQN (1000 W/m²VLW, AM 1.5, 25° C)WVWQDUGQNDOLEUDFH NREL : SOMS SURXGLACCS FF QDSW.
 8 3RUQRGRFHQWS UL1703:2013, SRUQRGROQRVWVG&SRGOH UL1703:2002.

9 FHLQIRUPDFQDMGHWHQD www.sunpower.com/company .
 *HWDLOQM#LQIRUPFHQDMGHWHUR#HQPGDWDVHWHXQD: www.sunpower.com/solresources.
 6SHFLILNDFHWRPWRGDWDVHWHXPRRKEWEHXSRRUQPPQ

©2018 SunPower Corporation. Všechna práva vyhrazena SUNPOWER, SUNPOWER a MAXEON logo N jsou ochranné známky nebo registrované ochranné známky společnosti SunPower Corporation. Údaje uvedené v tomto datasheetu se mohou měnit bez dalšího upozornění.

☎ 1-800-SUNPOWER

	-40° F D +185° F (-40° C to +85° C)
2GROQRVWSURWLQUDX	URXSRU1PUXPPSL UFORWWL PV
9OHG	7GDA
6ROUQQN	128 PRQRNUVDOLF N Maxeon Gen III
7UHQVNOR	9VRFHSURXVWQDQWLUHIQWUHQ
Junction Box	IP-65, 1230 mm NDEHO / MC4 NRPSDWLELOQ
+PRWQRVW	56 lbs (25.4 kg)
0DW	9 WU: 50 psf, 240Ba, 244 kg/m ² SHGQLDGQ VWUDQ: 112 psf, 5400 Pa, 550 kg/m ² SHGHN
5P	8HGHQRQDVHQDPX; sWRRDFDUN



- (A) OEMX 1230 mm +/-10 mm
- (B) Stohovací zářky 4 X 398 mm [15.68 in]
- (C) Dlouhá strana: 32 mm [1.3 in]
Krátká strana: 22 mm [0.9 in]

3LSRPEJSRLOSXX

