



RSS Transmitter with Pure Signal technology

Rapid Shutdown Activator

The Tigo Rapid Shutdown System (RSS) Transmitter is a part of Module Level rapid shutdown solution when paired with Tigo Module Level Power Electronics (MLPE). The RSS Transmitter can link multiple RSS transmitters together, this enables Tigo's Pure Signal Technology, providing one coordinated keep-alive signal to the array.

Features

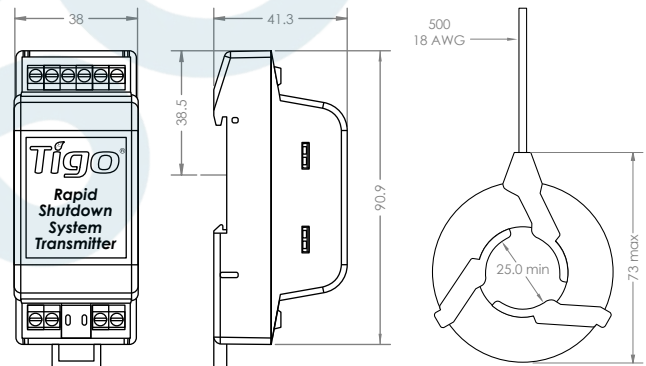
- PLC Communication
- Scalable from residential to large utility projects
- Patented Pure Signal Technology for multiple transmitters
- Configurable with one or two RSS Cores
- Bi-colored core ensures accurate signal directionality

Benefits

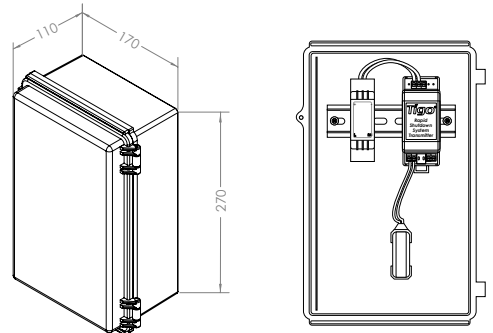
- Meets NEC 690.12 2014, 2017, and 2020 requirements
- Automatic or manual shutdown
- Reduce balance of system cost
- Easy and fast to install
- Compatible with majority of the inverters in the market

Dimensions

| | |
|------------------------|--|
| Dimensions (W x D x H) | 38 x 41.3 x 90.9 mm (1.5 x 1.63 x 3.58in) |
|------------------------|--|



| | |
|------------------------------|---|
| Outdoor Enclosure (optional) | 170 x 110 x 270 mm (6.69 x 4.33 x 10.63in) |
|------------------------------|---|



Input

| | |
|---------------------------------|----------------------------|
| Transmitter Input Voltage | 12V _{DC} (+/- 2%) |
| Transmitter Input Current | 1A |
| Power consumption (Max/Average) | 5.5W/0.85W |

RSS Core

| | |
|-------------------------------------|--|
| Max Current | 150A per RSS Core (Single Core: 150A, Dual Core: 300A) |
| Max String Voltage | 1500V _{DC} |
| Max Number of Strings per Core | 10 |
| Max Supported PV Modules per String | 30 |

Environmental

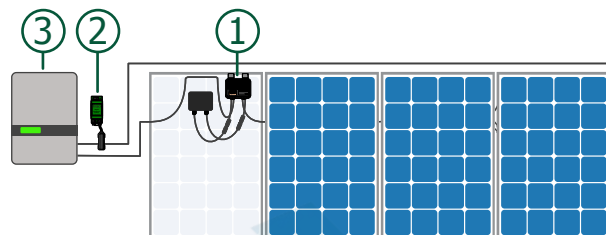
| | |
|--|----------------------------------|
| Operating Temperature Range | -40°C to +85°C (-40°F to +185°F) |
| Outdoor Enclosure Temperature Range (optional) | -20°C to +50°C (-4°F to +122°F) |
| Enclosure Rating (optional) | IP68, NEMA 4 |

Ordering Options

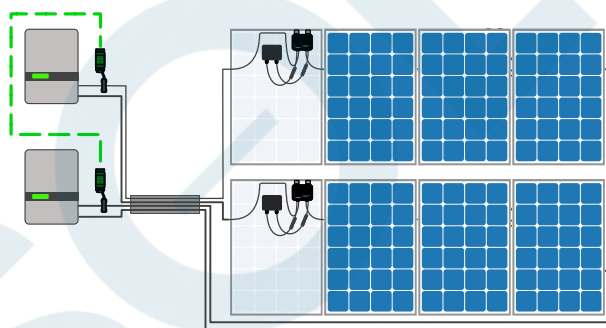
| Item # | Description |
|--------------|--|
| 490-00000-51 | Single Core (150A) RSS Din Rail Transmitter (no PS or enclosure) |
| 490-00000-52 | Dual Core (300A) RSS Din Rail Transmitter (no PS or enclosure) |
| 492-00000-51 | Single Core RSS Din Rail Transmitter, 120/240VAC PS, Outdoor Enclosure kit |
| 492-00000-52 | Dual Core RSS Din Rail Transmitter Kit, 120/240VAC PS, Outdoor Enclosure kit |
| 493-00000-52 | Commercial Dual Core RSS Din Rail Transmitter, 480/277VAC PS (no enclosure) |

System Components:

1. Modules equipped with Tigo MLPE
2. Tigo RSS Transmitter and RSS Core
3. Inverter



Typical Multi-Inverter Application



SOLSOL

SOLSOL s.r.o.
Králova 298/4, Brno 616 00, Czech republic
sales@solsol.cz
www.solsol.cz

Additional resources



Tigo RSS



Community



Support



Photovoltaic Rapid Shutdown System Equipment, QIJW

Tigo®

tigoenergy.com

PN: 002-00096-00 | Rev. 2022.6.28